



## How to order:

C	*	*	*	*	*
	01220 - 12VDC 2,0kW 02422 - 24VDC 2,2kW 02430 - 24VDC 3,0kW 22018 - 220VAC 1,85kW Voltage / Motor	20 - 2,0cc 25 - 2,5cc 33 - 3,3cc 37 - 3,7cc Pump	P08 - Plast. 8,0L P12 - Plast. 12,0L M18 - Metal 18,0L M12 - Metal 12,5L M14 - Metal 14,0L Tank	S - Simple D - Double Effect	1 - With 0 - Without Controller

## Example:

C	01220	20	P08	S	1
---	-------	----	-----	---	---

→ C0122020P08S1

General combinations available

C0122025M12S1	/	C0122025M12D1
C0242225M12S1	/	C0242225M12D1
C0243033P18S1	/	C0243033P18D1
C2201837P08S1	/	C2201837P08D1

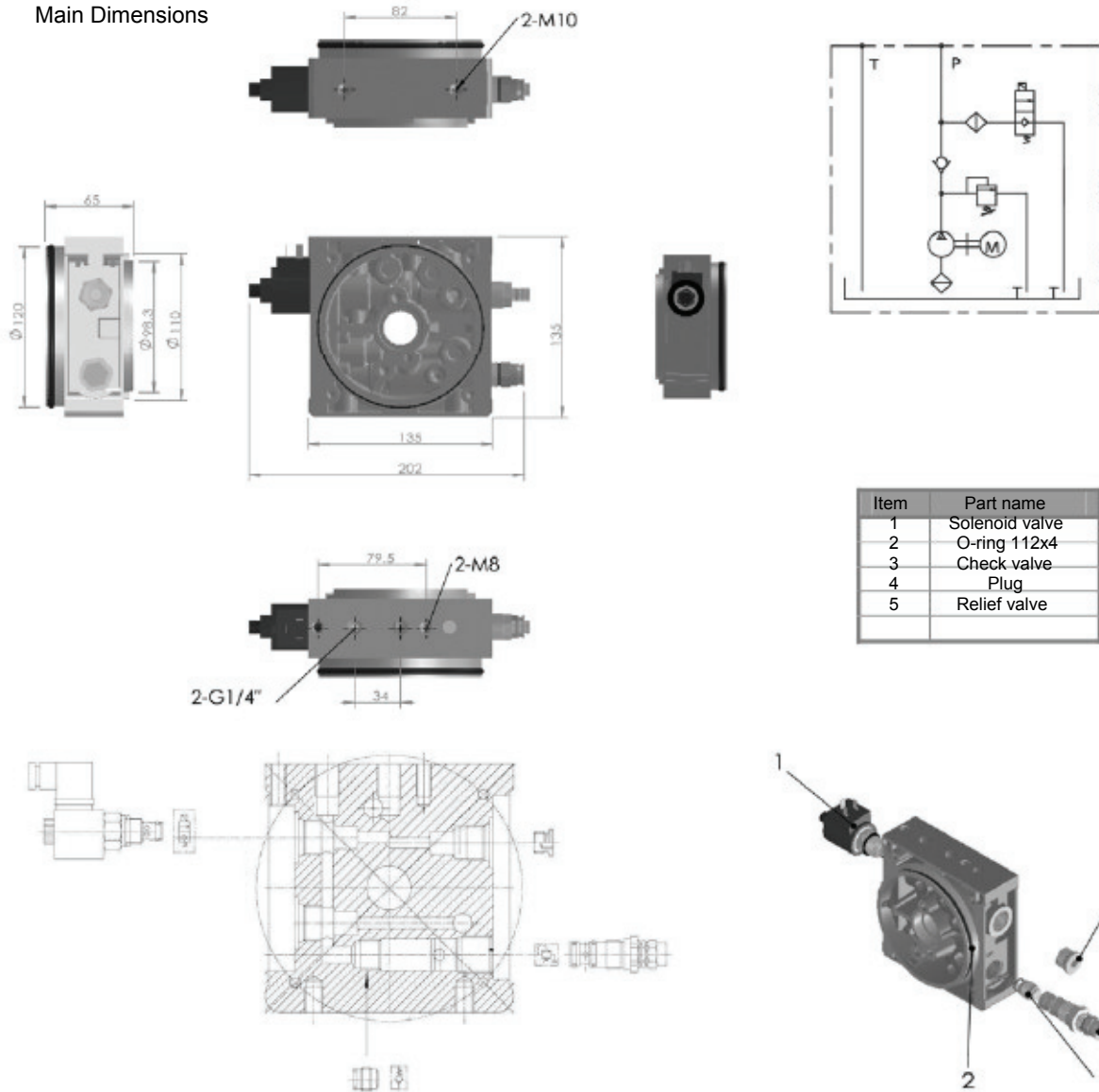
Note: Other combinations can be made for a minimum order of 20 units




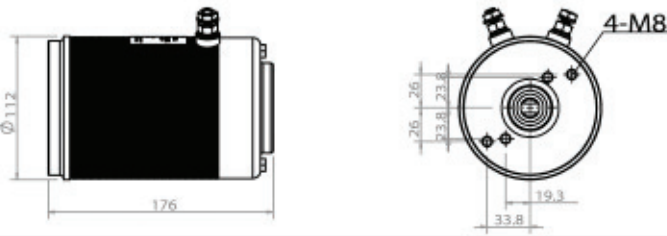



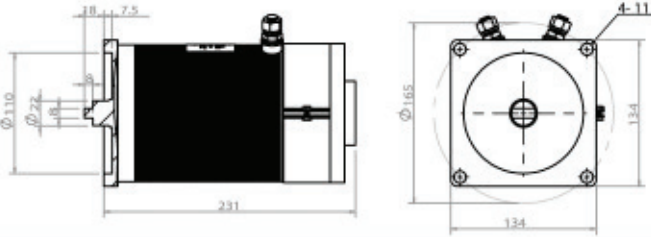

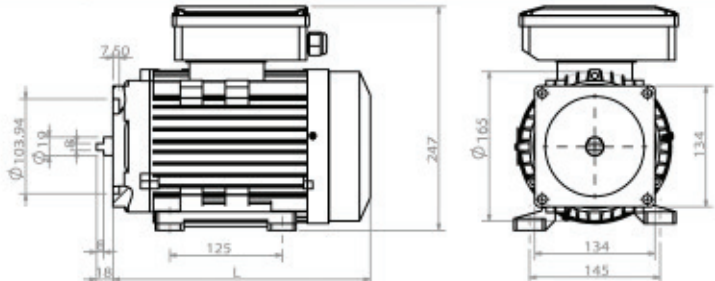
**Center Manifold**

Pressure casting technology processing, the essential base for mass-production, adoption of high quality characteristic aluminium alloy material, advanced technology of the alloy refinement and heat treatment. Adoption of the cartridge type 2 position - 2ways solenoid release valve to make the fitting space reduction. Convenient assembly, simply operation, stability performance, practical design and function.

**Main Dimensions**



Item	Part name
1	Solenoid valve
2	O-ring 112x4
3	Check valve
4	Plug
5	Relief valve

Motor					
Voltage (V)	Power (kW)	Rotation speed (rpm)	Torque (Nm)	Rotation direction	 <p>Ø 4.5" DC motor</p>
12 V	2 kW	2950 rpm	6 N.m	CW	
					
Voltage (V)	Power (kW)	Rotation speed (rpm)	Torque (Nm)	Rotation direction	 <p>Ø 4.5" DC motor</p>
24 V	2.2 kW	3100 rpm	6 N.m	CW	
					
Voltage (V)	Power (kW)	Rotation speed (rpm)	Torque (Nm)	Rotation direction	 <p>Ø 5.0" DC motor</p>
24 V	3 kW	2300 rpm	9 N.m	CW	
					
Voltage (V)	Power (kW)	Rotation speed (rpm)	Phase	Hz	 <p>Ø 80 Frame AC motor</p>
220 V	1.85 kW	1400 rpm	1	50	
					



Relay Starter			
Voltage (V)	Current (A)	Dimensions (mm)	Connection
12 V	200 A		
24 V	150 A		

Exterior Control		
Note	Diagram	Picture
Connection with up-down for single cylinder		
Connection with up-down for double cylinder		

Gear Pumps							
Displac. (cc/rot)	Rated pressu. (bar)	Max. pressure (bar)	Rated speed (rev/min)	Max. Speed (rot/min)	Volum. efficien. (%)	L (mm)	M (mm)
2,0	200	250	2500	3500	≥92	40	78
2,5	200	250	2500	3500	≥95	42	80
3,3	200	220	2500	3500	≥95	44	82
3,7	200	220	2500	3500	≥90	46	84




Relief Valve		
Size (mm)	Diagram	Pressure (bar)
		30-250

Cartridge Solenoid Release Valve		
Size (mm)	Diagram	Note
		Normally close two way, two position cartridge solenoid valve

Standard Cetop Valve			
Size (mm)	Voltage (V)	Diagram	Note
	12VDC 24VDC 220VAC		P Max: 250bar Q Max: 30L/min





Tanks			
Length L-(mm)	Capacity (Litres)	Size (mm)	Picture
330	8		<p>Plastic Tank</p>
513	12		<p>Plastic Tank</p>
320	12,5		<p>Steel Tank</p>
610	14		<p>Steel Tank</p>
250	18		<p>Steel Tank</p>